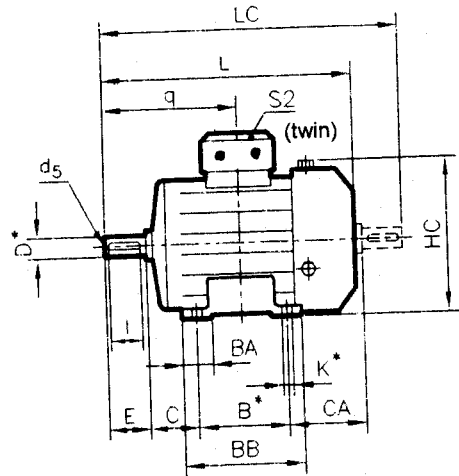
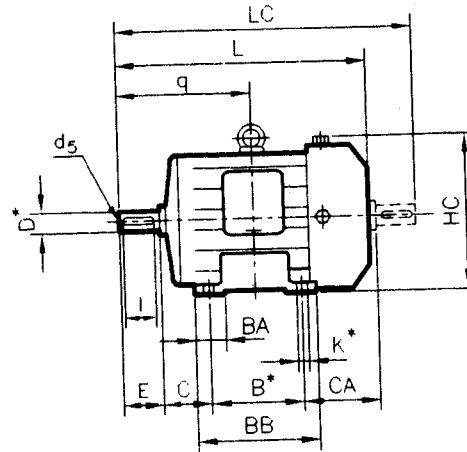
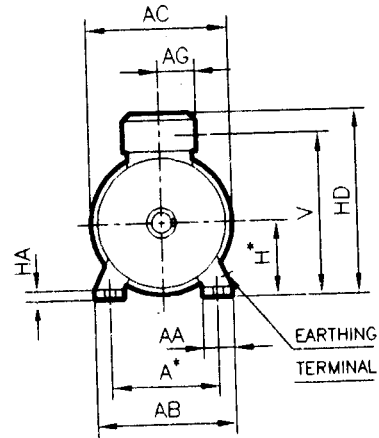


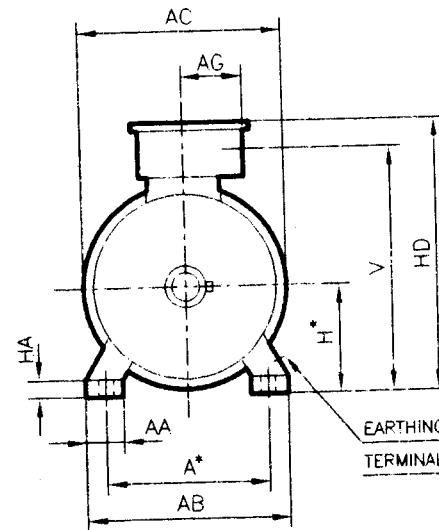
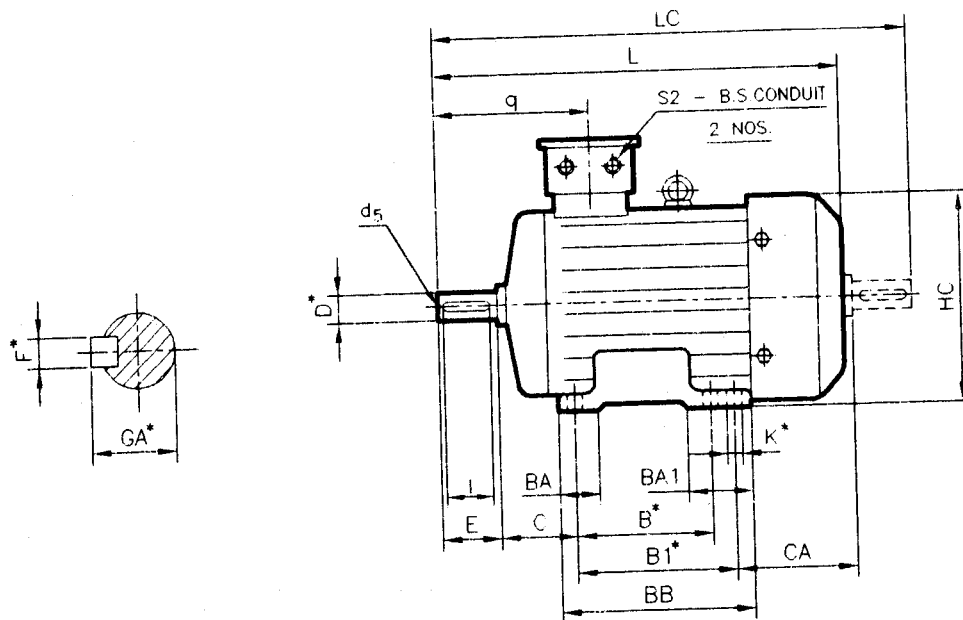
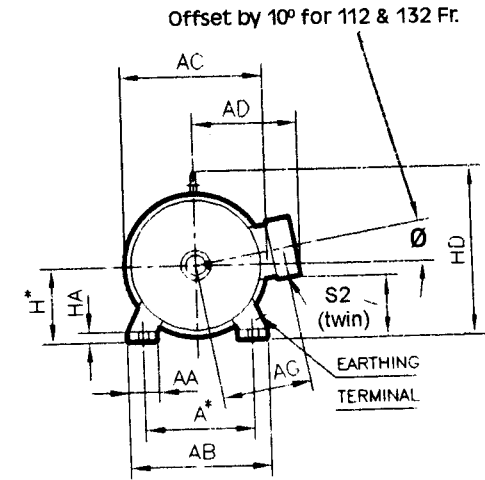
Dimensional Drawing of Increased Safety : Foot Mounted (B3 Construction) TEFC Motor Frame 63 - 280 M



FRAME SIZE 63, 71 & 80



FRAME SIZE 90S TO 160L



FRAME SIZE 180 TO 280M

**Dimensional Details of Increased Safety : Foot Mounted (B3 Construction) TEFC Motors Frame 63-280M**

IEC Frame Size	Motor Type	FIXING					GENERAL										TERMINAL BOX			SHAFT											
		A*	B*	B1*	C	H*	K*	AB	BB	AA	BA	BA1	HA	HC	HD	AD	L	LC	CA	AC	V	q	AC	S2	D*	E	F*	GA*	I	d	
63	ME063	100	80	-	40	63	7	126	100	30	28	-	7	128	207	-	206	241	75	124	112	103	56	3/4"	11	23	4	12.5	18	M 4	
71	ME 071	112	90	-	45	71	7	138	110	30	29	-	7	143.5	221	-	234	278	83	139	119	120	56	3/4"	14	30	5	16	25	M 5	
80	ME 080	125	100	-	50	80	10	153	124	32	32	-	10	161	237	-	267	324	94	157	126	110	56	3/4"	19	40	6	21.5	35	M 6	
90S	ME 09S	140	100	-	56	90	10	168	150	34	54	-	12	177	①	154	327	399	143	172	34	169	117	3/4"	24	50	8	27	45	M 8	
90L	ME 09L	140	125	-	56	90	10	168	150	34	54	-	12	177	①	154	327	399	143	172	34	169	117	3/4"	24	50	8	27	45	M 8	
100L	ME 10L	160	140	-	63	100	12	190	174	44	36	-	14	198	235	169	366	448	125	196	44	193	131	1"	28	60	8	31	55	M 10	
112M	ME 11M	190	140	-	70	112	12	230	176	62	50	-	15	226	269	189	388	471	141	226	82	200	150	1"	28	60	8	31	55	M 10	
132S	ME 13S	216	140	-	89	132	12	256	180	64	50	-	17	266	308	206	449	552	163	266	99	239	166	1"	38	80	10	41	70	M 12	
132M	ME 13M	216	178	-	89	132	12	256	218	64	54	-	17	266	308	206	487	590	163	266	99	258	166	1"	38	80	10	41	70	M 12	
160M	ME 16M	254	210	-	108	160	15	306	256	74	65	-	20	322	366	226	605	721	183	324	131	323	186	1"	42	110	12	45	105	M 16	
160L	ME 16L	254	254	-	108	160	15	306	300	74	65	-	20	322	366	226	649	765	183	324	131	345	186	1"	42	110	12	45	105	M 16	
180M/L	ME 18M/L	279	241	279	121	180	15	344	319	65	70	108	26	357	462	-	717	821	201	354	410	264	112	1-1/2"	48	110	14	51.5	100	M 16	
200L	ME 20L	318	305	-	133	200	19	398	355	85	65	65	32	397	512	-	770	892	234	394	449	287	172	2"	55	110	16	59	100	M 20	
225S/M	ME 22S/M	* A	356	286	311	149	225	19	436	361	85	85	110	34	447	562	-	825	944	239	444	498	297	172	2"	55	110	16	59	100	M 20
		* B															830	949	239	444	498	327	172	2"	60	140	18	64	130	M 20	
250M	ME 25 M	* A	406	349	-	168	250	24	506	425	100	115	115	42	498	665	-	915	1065	268	495	578	352	205	2"	60	140	18	64	130	M 20
		* B																							65	140	18	69	130	M 20	
280S/M	ME 28S/M	* A	457	368	419	190	280	24	557	525	100	145	155	42	552	725	-	1010	1160	271	544	638	360	205	2"	65	140	18	69	130	M 20
		* B																							75	140	20	79.5	130	M 20	

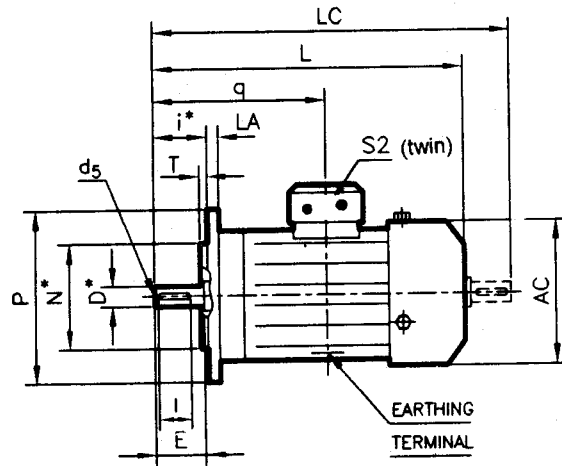
All Dimensions are in mm unless otherwise specified

**Tolerance on Dimensions with star**

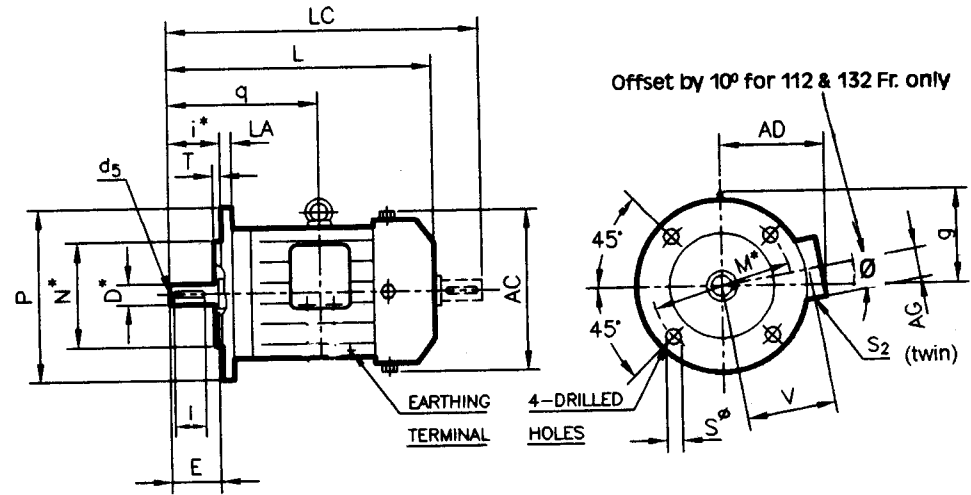
Dimension	Tolerance		Specification
A, B	±0.75	IS	IS : 1231
H	0.5	IS	IS : 1231
D	j6	11,14,19,24,28Ø	
	k6	38,42,48Ø	
	m6	55,66Ø,65Ø,75,	
K	+0.360	10Ø	
	+0.430	12,15Ø,19Ø,24Ø	
GA, F			IS : 2048
d(centering)			IS : 2540

**Note :**

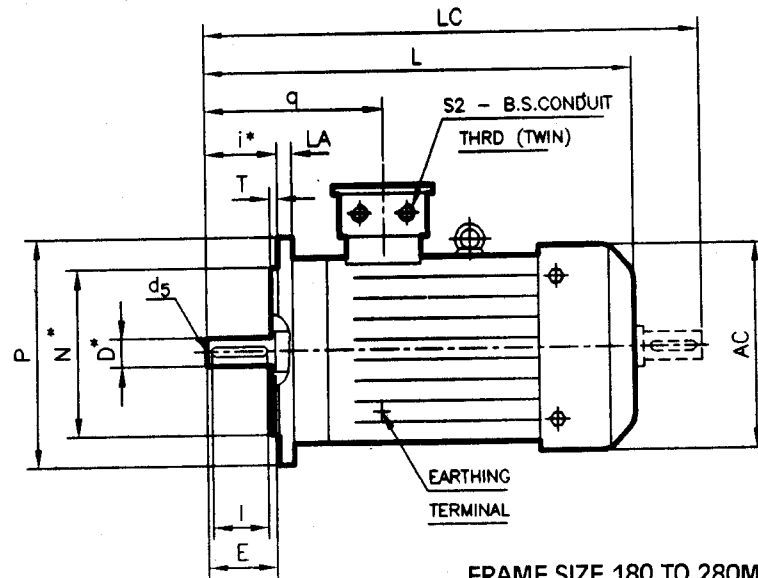
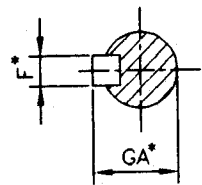
- ① Without Eye bolt.
- ☐ For 225 S/M-4,6,8 pole Non Drive Shaft Extension will be limited to 55mm dia
- ☐ \*A-2 pole, \*B-4, 6 & 8 pole.
- ☐ Also suitable for B6, B7, B8, V5 & V6 mounting as per IS 2253.
- ☐ For 280 S/M 4,6 & 8 pole Non Drive Shaft Extension will be limited to 65 mm dia.



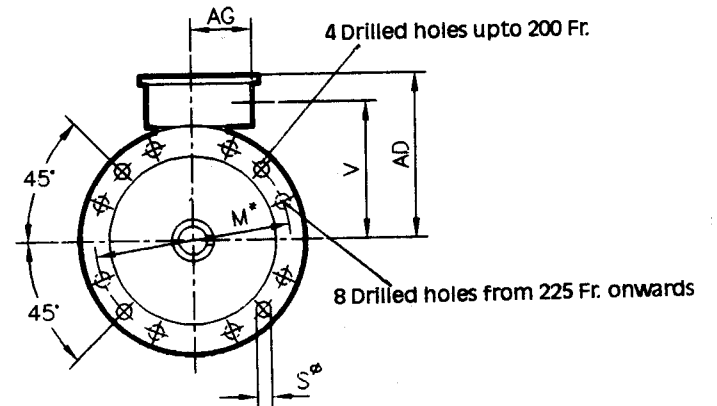
FRAME SIZE 63, 71 & 80



FRAME SIZE 90S TO 160L



FRAME SIZE 180 TO 280M



**Dimensional Details of Increased Safety : Flange Mounted (B5 Construction) TEFC Motors Frame 63-280M**

IEC Frame Size	Motor Type	FIXING				GENERAL								TERMINAL BOX			SHAFT							
		P	N*	M*	i*	S	T	LA	AD	AC	L	LC	g	v	q	AG	S2 B.S.C	D*	E	F*	GA*	i	d	
63	ME 063	140	95	115	23	10	3	9	144	124	225	260		49	122	56	3/4"	11	23	4	12.5	18	M 4	
71	ME 071	160	110	130	30	10	3.5	9	150	139	261	305		48	147	56	3/4"	14	30	5	16	25	M 5	
80	ME 080	200	130	165	40	12	3.5	10	157	157	267	324		46	110	56	3/4"	19	40	6	21.5	35	M 6	
90S	ME 09S	200	130	165	50	12	3.5	10	154	181	327	399	⊙	117	156	56	3/4"	24	50	8	27	45	M 8	
90L	ME 09L	200	130	165	50	12	3.5	10	154	181	327	399	⊙	117	169	56	3/4"	24	50	8	27	45	M 8	
100L	ME 10L	250	180	215	60	15	4	11	169	202	366	448	135	131	193	56	1"	28	60	8	31	55	M 10	
112M	ME 11M	250	180	215	60	15	4	11	189	227	388	471	157	150	200	56	1"	28	60	8	31	55	M 10	
132S	ME 13S	300	230	265	80	15	4	12	206	267	449	552	176	166	239	63	1"	38	80	10	41	70	M 12	
132M	ME 13M	300	230	265	80	15	4	12	206	267	487	590	176	166	258	63	1"	38	80	10	41	70	M 12	
160M	ME 16M	350	250	300	110	19	5	13	226	324	585	721	206	186	323	63	1"	42	110	12	45	105	M 16	
160L	ME 16L	350	250	300	110	19	5	13	226	324	629	765	206	186	345	63	1"	42	110	12	45	105	M 16	
180M/L	ME 18M/L	350	250	300	110	19	5	13	282	369	717	821		230	264	112	1 1/2"	48	110	14	51.5	100	M 16	
200L	ME 20L	400	300	350	110	19	5	15	312	405	770	892		249	287	172	2"	55	110	16	59	100	M 20	
225S/M	ME 22S/M	* A	450	350	400	140	19	5	16	337	455	800	919		273	297	172	2"	55	110	16	59	100	M 20
			* B	450	350	400	140	19	5	16	337	455	830	949		273	327	172	2"	60	140	18	64	130
250M	ME 25 M	* A	550	450	500	140	19	5	16	415	495	915	1065		328	352	205	2"	60	140	18	64	130	M 20
			* B																2"	65	140	18	69	130
280S/M	ME 28S/M	* A	550	450	500	140	19	5	18	445	544	1010	1160		358	360	205	2"	65	140	18	69	130	M 20
			* B																2"	75	140	20	79.5	130

*All Dimensions are in mm unless otherwise specified*

**Tolerance on Dimensions with star**

Dimension	Tolerance		Specification
N	j 6		IS : 2223
M	± 0.3	UPTO 265	
i	± 0.5	OVER 265	IS : 2048
	± 1	UPTO 85	
D	± 1.5	OVER 85	IS : 2540
	j 6	11, 14, 19, 24, 28Ø	
GA, F d(centering)	k 6	38, 42, 48Ø	
	m 6	55Ø, 60Ø, 65Ø, 75Ø	

**Note :**

- ⊙ Without Eye bolt.
- \*A-2 pole, \*B-4, 6 & 8 pole.
- 8 Nos. Fixing Holes for 225 S/M Frame.
- Suitable for V1 V3 & B5 mounting as per IS 2253 : 1974.
- Key/Key way fit : h9 / N9
- Double shaft extension can be provided with shaft dimension identical to D.E. Shaft except for 225 S/M-4-6, 8 pole and 280 S/M-4, 6, 8 pole where Non Drive Shaft Extension will be limited to 55 m.m. dia and 65 mm dia respectively.