

# Self-priming Pumps BUS-RBU-RBUF



The BUS-RBU family is a range of horizontal single stage, side-channel pumps operating according to the impulse principle. The pumps are self-priming and have a large air displacing capacity.

## Applications

The BUS-RBU pumps are suitable for pumping pure, clean liquid without solid particles. The pumps can handle small amount of clean liquids at relatively large discharge head. The pump finds application in hydrophore installation, spraying installation and other process installation.

- Volatile solvents like methanol, acetone
- Petrol, kerosene, gas oil, diesel oil
- DM water
- Gas bearing water
- Fruit juices, syrup

## Range

Capacity	:	BUS-RBU 25 : max. 3.6 m <sup>3</sup> /h
		BUS-RBU 49 : max. 5.1 m <sup>3</sup> /h
Head	:	max. 90 m
Liquid temperature	:	max. 105°C
RPM	:	max. 3600

## Materials

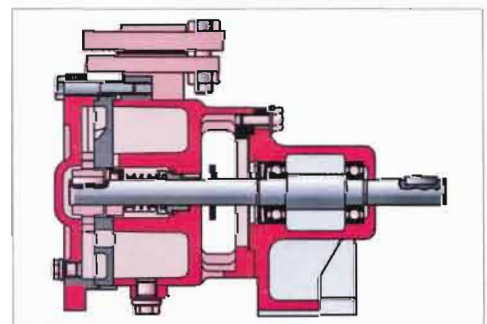
	BUS	RBU
Pump casing	Cast iron/ Bronze	Cast steel/ Stainless steel
Impeller	Brass	Cast steel/ Stainless steel
Pump shaft	Stainless steel 431/ 316	Stainless steel 431/ 316

## Features

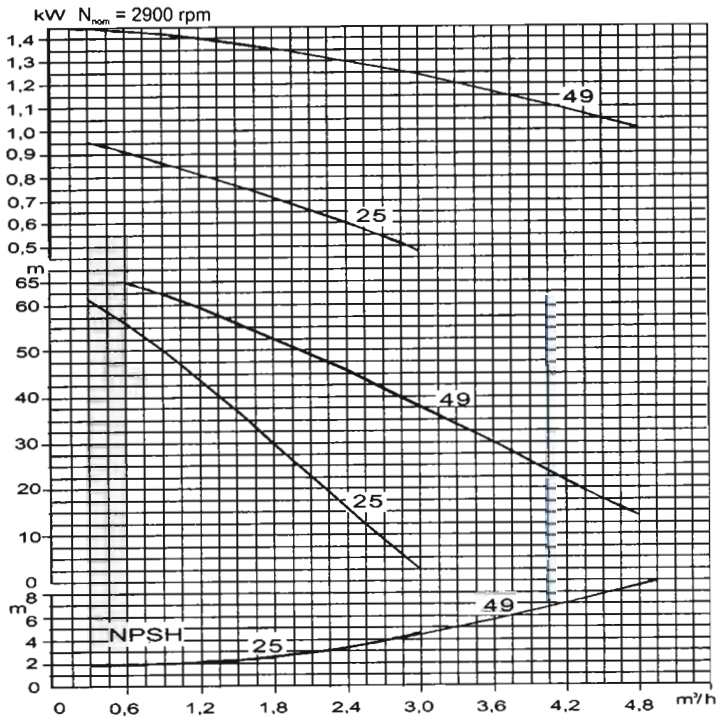
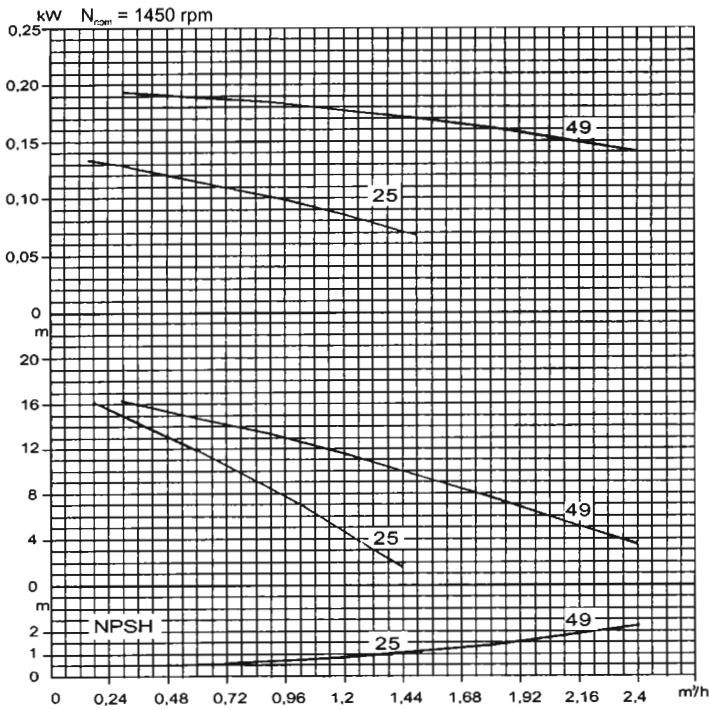
- Compact and robust construction
- Self-priming up to 7 m at all speeds
- High interchangeability
- Soft packed or with mechanical seal
- Coupled or mono-block version
- Available with A.C or D.C motor
- Easy maintenance

## Design

- Steep performance characteristics result in slight change in flow when discharge head changes
- Suction and discharge directed upward with G1" threads
- Counter flanges are delivered as standard
- Impeller is vaned wheel with perpendicular radial vanes
- Laminated labyrinth seal and a splash ring protects bearing from dirt and liquid



# Performance data



**RBUF**



**BUS**



Manufactured by Johnson Pump (India) Limited, Survey No. 275, Odhav, Ahmedabad-382415 in collaboration with Johnson Pump AB, Sweden

The company reserves the right to change any specifications without prior notice



**Johnson Pump (India) Limited**

Survey No. 275, Odhav Road, Odhav, Ahmedabad-382 415.

Tel : +91 79 22870311, 22875583, 22873005 Fax : +91 79 22870593, 22872522 E-mail : marketing@johnsonpump.co.in; amish.patel@johnsonpump.co.in.

For more information about our worldwide locations, approvals and certifications and local representatives, please visit

**www.johnson-pump.com and www.spxpe.com**

Johnson Pump reserves the right to incorporate our latest design and material changes without notice or obligation.

Design features, materials of construction and dimensional data, as described in this bulletin, are provided for your information only and should not be relied upon unless confirmed in writing. Certified drawings are available upon request.